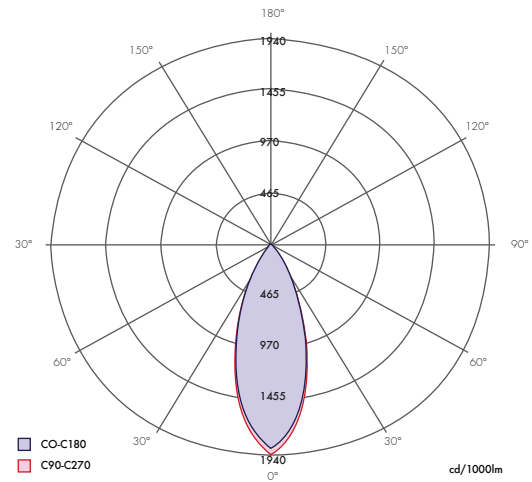
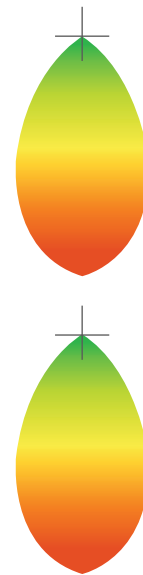


DDK-LED Flood range



BASIC PARAMETERS

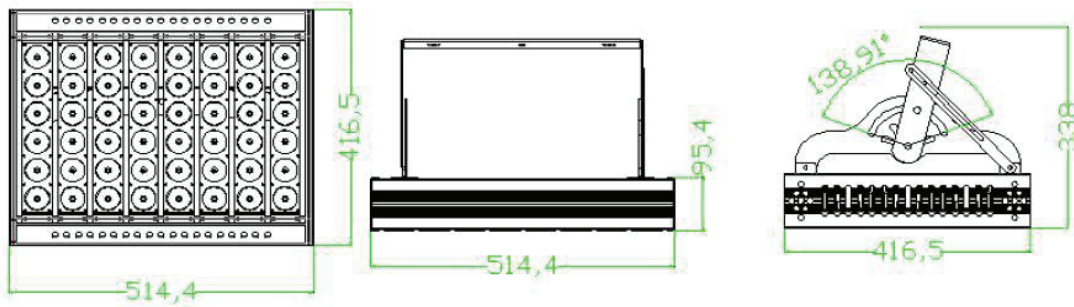
Light Source	LED
IP Rating	IP 67
CRI (Ra>)	90
Warranty (Year)	5
Service Lifetime	>80,000 hrs
Material	Aluminium
Fixture color	Silver
Operating Temp. °C	-40/+60
Input Voltage	85-256VAC
Certification	CE, GS, RoHS, UL
Photometric test	acc. STN EN 13032
Photometric Lab.	Skúšobňa FEI STU, Ilkovičova 3, BA



Type	Power +/-2% (W)	Φ Lumen +/- 9,3% (lm)	Angle °	Sizes mm	Color Temperature +/- 100K CCT (K)	Net Weight kg
DDK-FL200	200	>24.000	10/25/40/60/90	390/316,5/95,4	2800-7500K	10
DDK-FL300	300	>36.000	10/25/40/60/90	514,4/416,5/95,4	2800-7500K	12
DDK-FL400	400	>48.000	10/25/40/60/90	570/416,5/95,4	2800-7500K	17
DDK-FL500	500	>60.000	10/25/40/60/90	690/416,5/95,4	2800-7500K	21
DDK-FL700	700	>84.000	10/25/40/60/90	750/516,5/95,4	2800-7500K	35
DDK-FL1000	1000	>120.000	10/25/40/60/90	750/716,5/95,4	2800-7500K	50
DDK-FL1500	1500	>180.000	10/25/40/60/90	990/816,5/95,4	2800-7500K	60
DDK-FL2000	2000	>240.000	10/25/40/60/90	1350/816,5/95,4	2800-7500K	85
DDK-FL4000	4000	>480.000	10/25/40/60/90	1000/8000/250	2800-7500K	140

DATA Sheet

DDK-LED Flood range size example - FL300



Package Dimensions (Size units: millimeter)

